

SANDER

S E R I E S



INTRODUCING...

The World Champion JITTERBUG

Built to go the distance

The Jitterbug 1/4 Sheet Finishing
Sander from Sioux Tools

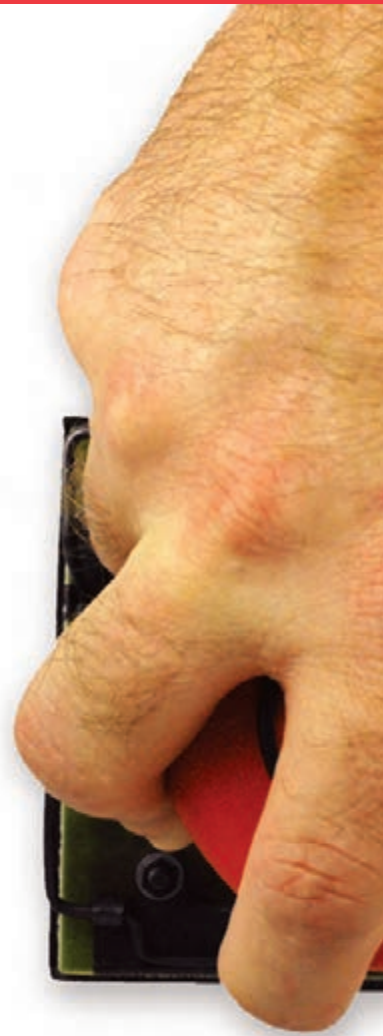


What it takes to become a champion

Becoming the world champion Jitterbug began with the success of our random orbital sander. Touted as the most comfortable sander ever made – the RO25 random orbital set the stage for introducing Sioux's Jitterbug. From the top down, this Jitterbug is a winner.

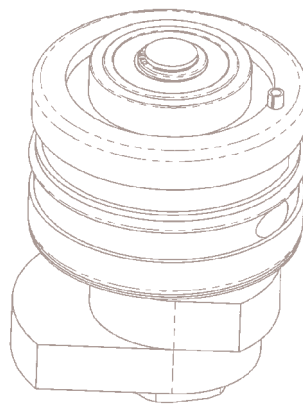
The power lever design puts forth an improved shape and position. By molding the contour of the lever over the top of the grip and giving it a smooth hour-glass shape, Sioux Tools engineers were able to reduce the amount of force needed to engage the sander, allowing the operator to work for extended periods.

The universally adaptable grip features an asymmetrical shape, making it a more natural fit for the hand. The grip rotates in 15 degree increments and locks into 24 indexable positions, enabling the operator to adjust the grip to their unique hand position, making for a perfect fit. The grip is also reversible, allowing it to accommodate left or right-handed use.



POWER

- Heavy-duty motor generates 10,000 rpm (no-load) with no maintenance required
- Double-stacked bearings provide greater rigidity and never need oil
- Single-center sealing o-ring replaces hard-to-handle inlet ring
- Single-piece, precision-machined spindle and counterbalance, dual vibration dampers effectively absorb virtually all vibration and reduce fatigue



COMFORT

- S-Shaped power-lever fits naturally in the palm, resulting in effortless tool engagement and extended periods of sanding
- Airflow adjustment vent gives operator precise control over air-flow, away from skin and to the work surface.
- 24 position, soft-textured grip accommodates right or left-handed users with various hand sizes and shapes





The motor is a smooth operator and almost free of vibration. You can literally engage the Sioux Jitterbug with only one finger. The 10,000 rpm motor features a single-piece, precision-machined spindle and counterbalance along with dual vibration dampers that effectively absorb virtually all vibration.

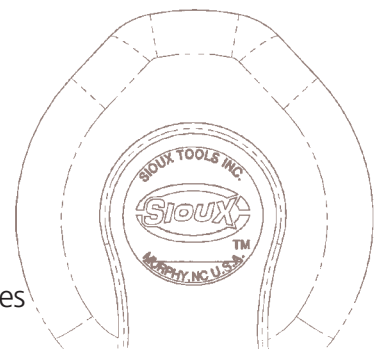
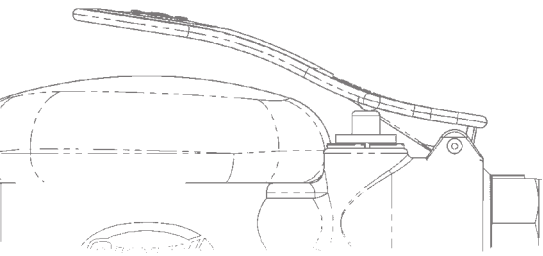
The Jitterbug operates at an impressive 13 SCFM. The air inlet has been positioned lower on the tool to not interfere with the natural position of the wrist. An exhaust deflector provides precise control over air flow, enabling the operator to direct the exhaust as needed.

Sioux Tools engineers were also able to improve the life of the Jitterbug, making it virtually maintenance free. Plus, the Jitterbug is one of the easiest tools in its class to disassemble, maintain, and re-assemble. In fact, the motor cartridge can be removed and replaced in a matter of minutes. Inside, a single-center o-ring replaces hard-to-handle inlet rings.

The Sioux jitterbug is a natural extension of our successful random orbital RO25 sander. It's built to go the distance and is the perfect sanding partner for a winning finish.

PRODUCTIVITY

- 1/8" orbital diameter
- Economical 1/4 sheet sand paper works great for sanding, finishing, blending or feathering
- Thumb wheel allows minute speed adjustments up to 10,000 rpm (no load) on all types of surfaces



Tools for the way you work.
www.siouxtools.com



RO2510-44FNC

Tools for the way you work.

For nearly a century Sioux has been making tools that make sense. As a pioneer of industrial pneumatic and handheld power tools, we've been outfitting professional craftsmen like you since 1914; pros who know what they need and refuse to settle for less.

Today, Sioux is a trusted supplier of quality-built tools for the world's most demanding industrial manufacturing, assembly and finishing operations. As a member of the Snap-On family of industrial tools, we provide the worldwide distribution and support you expect from an industry leader.

For more information on the new random orbital sander from Sioux, or any of our more than 800 industrial tools, visit us at www.siouxtools.com. To find your nearest distributor of Sioux Tools, call 800-722-7290.

MODEL RO2510-44FNC SPECIFICATIONS



Power	0.25 hp (0.19 kW)
Free Speed	10,000 RPM
Orbit Diameter	1/8" (3mm) Dia.
Air Consumption, Free Speed	13 SCFM (6 l/s)
Sound Level	81 dBA
Height	3.5" (90 mm)
Weight	1.75 lbs. (.8 kg)
Pad Size	3 3/4" x 4 1/4" (95mm x 110mm)

GENERAL

Air Inlet Size:	1/4" NPT
Recommended Hose Size:	3/8" (10mm)



250 Snap-on Drive
P.O. Box 1596
Murphy, North Carolina USA 28906
PH: 828.835-9765
FAX: 828.835.9685
TOLL FREE: 866.259.7291
TOLL FREE FAX: 800.722.7236
www.siouxtools.com



Eye protection must be worn while operating power tools.
U.S. Patents 5,897,228; 6,616,518; 6,343,982

Australia

Tel: 61 (0) 2 9837 9100
Fax: 61 (0) 2 9624 2578
e-mail:
SOTA.customerservice@snapon.com

Germany

Tel: 49 2104 9509-0
Fax: 49 2104 9509-99
e-mail:
snapon.industrial@snapon.com

Latin America

Tel: 305-670-1906
Fax: 305-670-1908
e-mail:
latinamerica.caribbean@snapon.com

Benelux

Tel: (N) 31 (0) 20 568 26 64
(B) 32 (0) 14 23 19 67
Fax: (N) 31 (0) 20 568 26 60
(B) 31 (0) 14 23 26 27
e-mail: snap@snap-on.nl

Italy

Tel: 00 39 02 66 04 53 70
Fax: 00 39 02 61 29 78 15
e-mail: indus.italia@snapon.com

Singapore

Tel: 65-6459-2712
Fax: 65-6451-5574

China

Tel: 86-10-6581-4445
Fax: 86-10-6581-1144

Japan

Tel: 81-3-5534-1294
Fax: 81-3-5463-1284

United Kingdom

Tel: 44 (0) 1536-413904
Fax: 44 (0) 1536-413874
e-mail:
industrialuk@snapon.com

FORM# ZML0123
PRINTED IN USA
08/08 20M